



CT169S2 *J83A Encoder Modulator*

Product Overview :

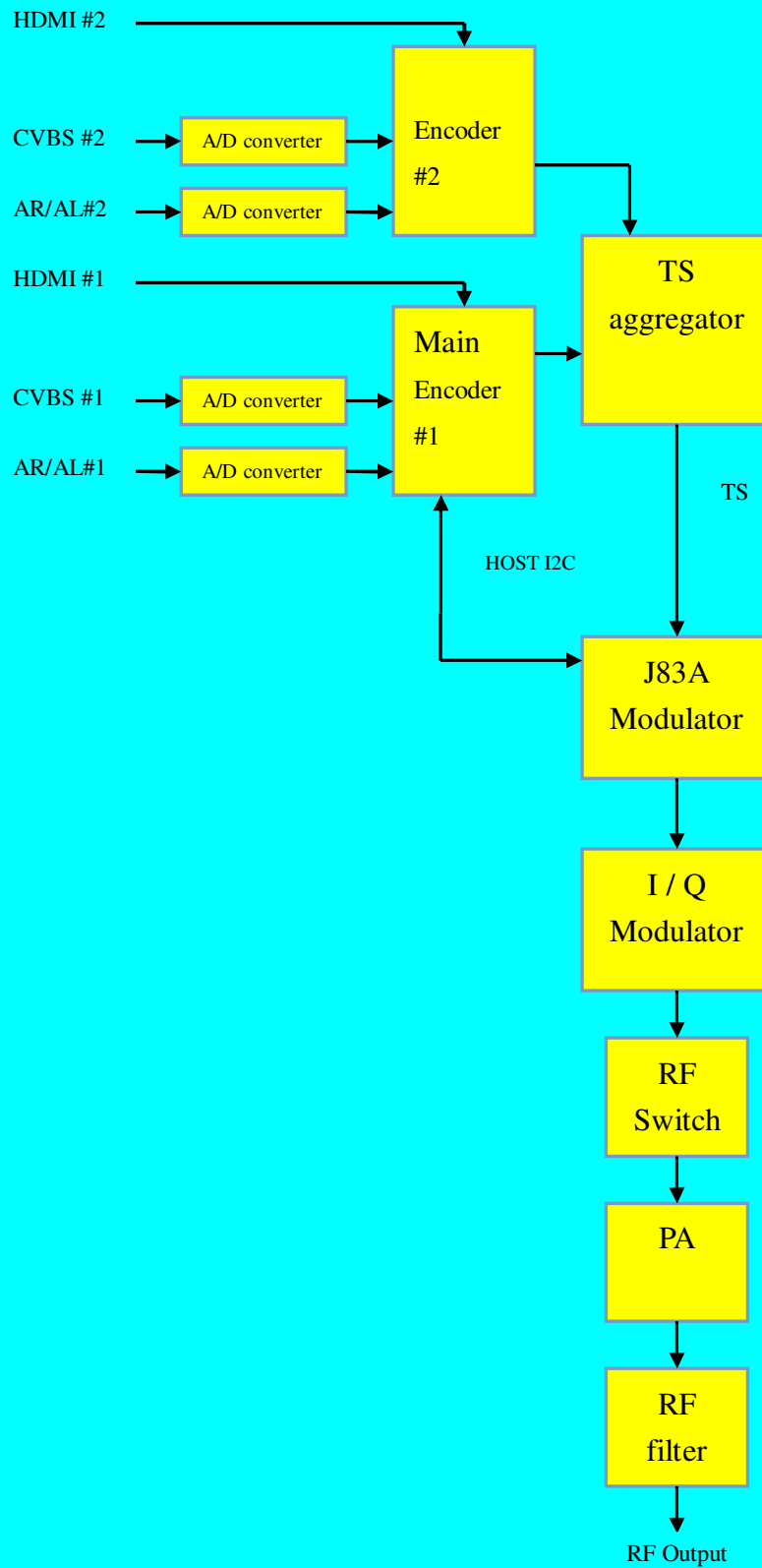
The Encoder Modulator supports 2 CVBS, 2 HDMI input and 1 RF F female output.

A channel can carry up to two high-definition programming.

After coded and modulated, the input signal can be directly output or mixed output with original TV signal. It can be widely used in security, home entertainment, protection monitoring, hotel LCD panels, shopping mall advertising etc..



Principle Chart



Specifications

Encoding

Video(HDMI)

Encoding MPEG4 H.264/ AVC

Interface HDMI*2 (Type A receptacle)

Resolution 720P , 1080P

Aspect Ratio 4:3 ; 16:9

Audio(HDMI)

Encoding MPEG-1 Layer II(AAC-LC/ADPCM)

Interface HDMI*2

Sample rate 32 ~192KHz

Video(CVBS)

Encoding MPEG4 H.264/ AVC

Interface CVBS*2(RCA)

Resolution CVBS : 720*576 50i , 720*480 60i

Audio(L/R)

Encoding MPEG-1 Layer II(AAC-LC/ADPCM)

Interface Stereo*2(RCA)

Sample rate 32 ~192KHz

Modulation

Standard ITU-T J.83A

Symbol rate 5.0 ~ 7.2 M

Constellation QPSK~256QAM

System

Local interface LCD+control buttons

Remote management Web NMS

NMS Interface RJ45

Language English

Output

Frequency range 100 ~ 861MHz

Output level 60 ~105dBuV

MER \geq 36dB

Connector type 'F' female

General

Dimensions 438*152*43

Weight 1.12kg

Power supply AC 100 ~ 240V

Operation temperature 0 ~ 50°C

Note:

The CT169S2 video source types: HDMI or CVBS

Notice before installation.

I. Connect video source before the modulator is power on and each channel can select one video source type only, HDMI or CVBS.

II. To change video source while the modulator is in use, please follow the steps below.

- 1) Power off the modulator.
- 2) Make sure the modulator is power off before change video source.
- 3) Power on the modulator after finishing changing video source.
