



## CT167B1

### *DVB-T Encoder Modulator*

#### **Product Overview :**

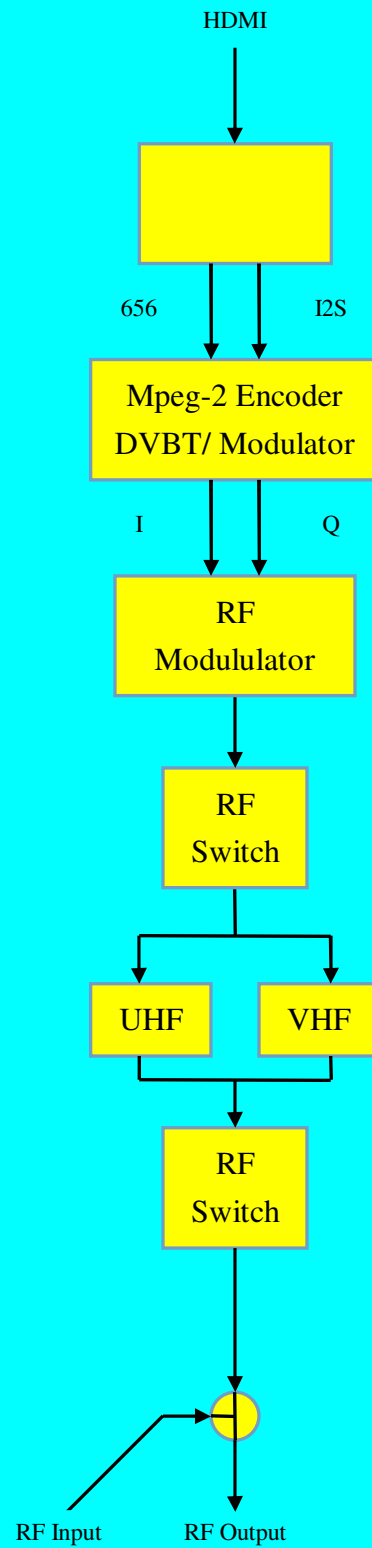
**The HD Encoder Modulator supports HDMI input, 1 RF F female input, and 1 RF F female output .**

**After coded and modulated, the input signal can be directly output with original TV signal.**

**It can be widely used in security,home entertainment, protection monitoring, hotel LCD panels, shopping mall advertising etc..**



# Principle Chart



## Specifications

### Encoding

<b>Video(HDMI)</b>	
Encoding	MPEG2
Interface	HDMI*1 (Type A receptacle)
Resolution	1920*1080 30p,
Aspect Ratio	4:3 ; 16:9
<b>Audio(HDMI)</b>	
Encoding	MPEG-1 Layer II
Interface	HDMI*1
Sample rate	48KHz , 44.1KHz or under

### Modulation

	<b>DVB-T/6M</b>	<b>Australia 7M</b>
Standard	ETSI EN300744	ETSI EN300744
FFT mode	8K	8K
Bandwidth	6M	7M
Constellation	64QAM	64QAM
Guard interval	1 / 16	1 / 16
Code rate	3/4	3/4
Frequency range	177~213MHz 473~803 MHz	177.5~226.5MHz 480.5~816.5MHz

	<b>DVB-T/7 M、8M</b>
Standard	ETSI EN300744
FFT mode	8K
Bandwidth	7M、8M
Constellation	64QAM
Guard interval	1/16
Code rate	3 / 4
Frequency range	177.5~226.5MHz 474~858 MHz

### System

Local interface	LCD+control buttons
Language	English

### Output

Output level	60 ~85dBuV
MER	≥ 36dB
Connector type	'F' female

### General

Dimensions	168*118*42
Weight	674g
Power supply	DC 12V
Operation temperature	0 ~ 50°C