



SPECIFICATION

DVBT Transmitter

Revision:1.0

1. Scope :

The HD Encoder Modulator supports 4 CVBS, 4 YPbPr and 4 HDMI input and 1 RF F female output. (The HDMI Input supports HDCP)
A channel can carry up to four high-definition programming.
After coded and modulated, the input signal can be directly output or mixed output with original TV signal. It can be widely used in home entertainment, security, protection monitoring, hotel LCD panels, shopping mall advertising, etc..

2. General Specification :

2-1

INPUT HDMI(Type A)
Component Video (YPbPr), RCA jack (75 ohm)
Composite (CVBS), RCA jack (75 ohm)

OUTPUT DVB-T modulator (F female)
Frequency :100~858MHz

2-2 Temperature Range :

Operating Temperature 0 ~ +50 °C
Storage Temperature -10 ~ +70 °C

2-3 Weight : 156g

3. Feature

Integrated encoder and modulator



SPECIFICATION

DVBT Transmitter

Revision:1.0

4. Electrical Specification

4-1 Power Supply : DC +12V, 1A

4-2 Output Level : 0dBm

4-3 Video :

Input Format HDMI, Component Video (YPbPr),
Composite (CVBS)

Encoding Format Supports H.264 and JPEG encoder and encodes up to
Full-HD 1920x1080 resolution.
H.264 encoder is fully compliant with ISO/IEC-14996-10
baseline profile.

JPEG encoder is fully compliant with ISO/IEC-10918

Resolutions 1080i / 720p / 480p / 480i

Connector HDMI(Type A)
Component Video (YPbPr), RCA Jack (75 ohm)
Composite (CVBS), RCA Jack (75 ohm)

4-4 Audio :

Input Format HDMI, analog stereo/mono

Encoding Format ADPCM, MPEG-1 and MPEG-2 layer 2 audio
and AAC-LC streams.

Connector HDMI embedded audio
RCA Jack (75 ohm)

4-5 DVB-T Modulation

Standard DVB-T (ETSI EN 300 744)

Bandwidth 6 / 7 / 8 MHz

Mode 2K / 8K

Constellation QPSK / 16QAM / 64QAM

Guard Interval 1/4 , 1/8, 1/16, 1/32

Code Rate 1/2, 2/3, 3/4, 5/6, 7/8

Frequency Range 100~858MHz

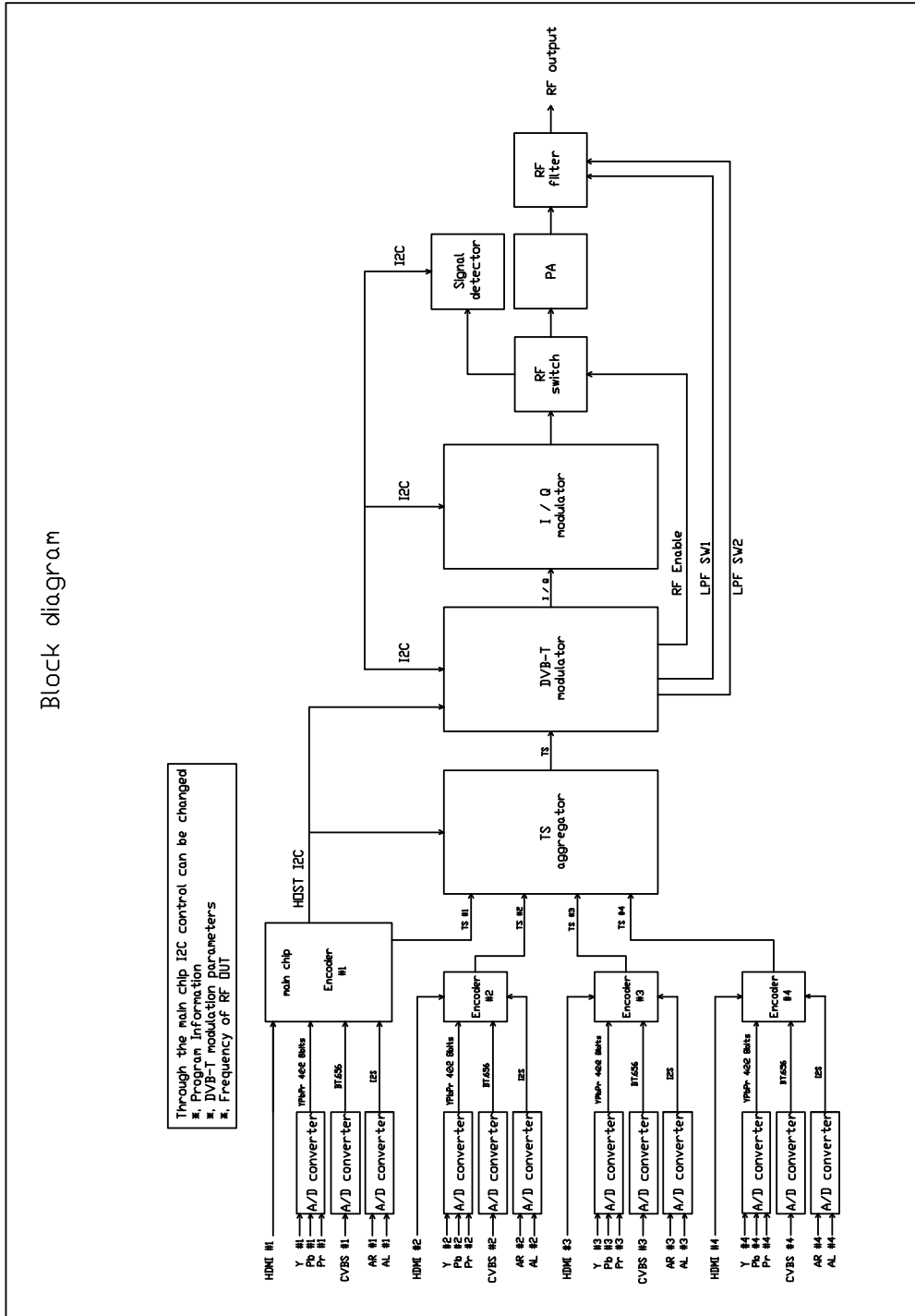
Output Level 0dBm

SPECIFICATION

DVBT Transmitter

Revision:1.0

5. Block Diagram

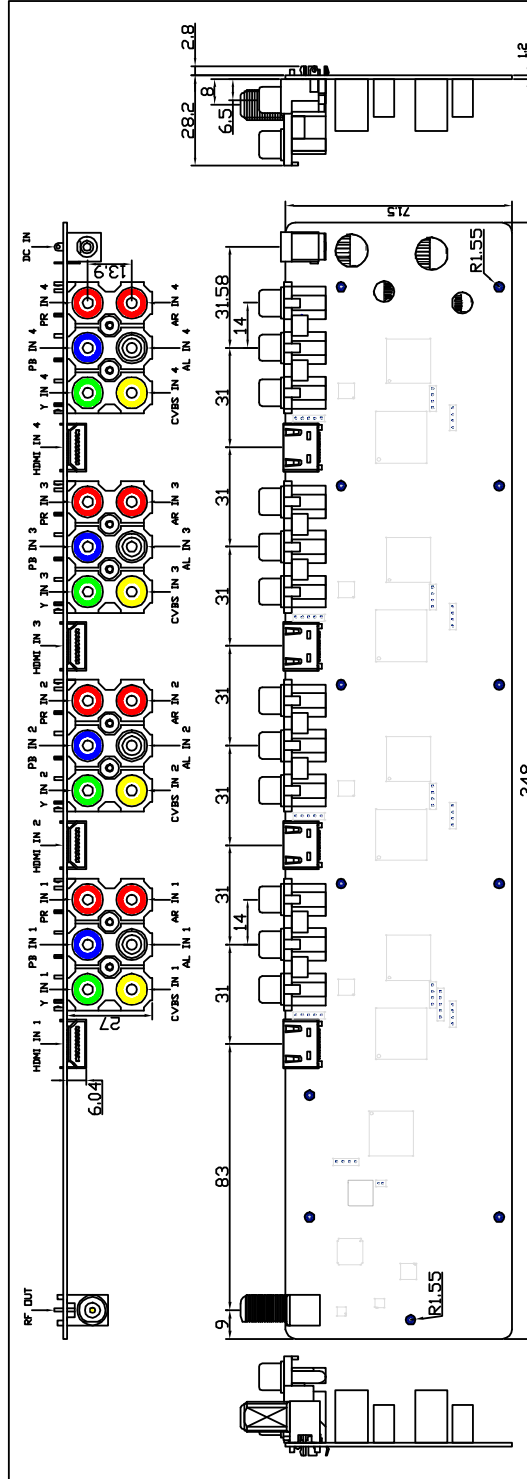




SPECIFICATION

DVBT Transmitter

Revision:1.0



COMTECH TECHNOLOGY CO., LTD.	
DATE	1/1
SCALE	TOLERANCE $\pm 0.5\text{mm}$
CHNG.	TITLE
APPL.	UNIT
DATE OF REVISION	DOCUMENT NO.

NOTE 1. TOLERANCES ARE ± 0.5 .
UNLESS OTHERWISE SPECIFIED.